

Connectors

88210.1000

Innovative wood connection systems for highest requirements.



PIST Metallbau GmbH & Co. KG
DIN EN 1090-2



ZiNiP
max protection



Connectors HVP with uplift protection

HVP connector 88210.1000

Optimal distances to the edges and variable screws length ensure accuracy of fit for each timber section.



Dimensions w x h x d (mm)	60 x 100 x 12
Number of screws	18
Screws size	Ø 5 x 60 - 100
Minimal timber section with screws Ø 5 x 60 (mm) Header	70 x 120
Joist	80 x 120
Characteristic load capacity* Ø 5 x 60	19,81
Ø 5 x 100	32,63
Packing unit	10
CE	*

* F2,Rk (kN) for GL24h with fully threaded screws: Ø 4.5 x 50 with effective thread length of 45 mm and Ø 4.5 x 80 with effective thread length of 74 mm. For other screws and thread lengths or wood based materials: cf. design manual



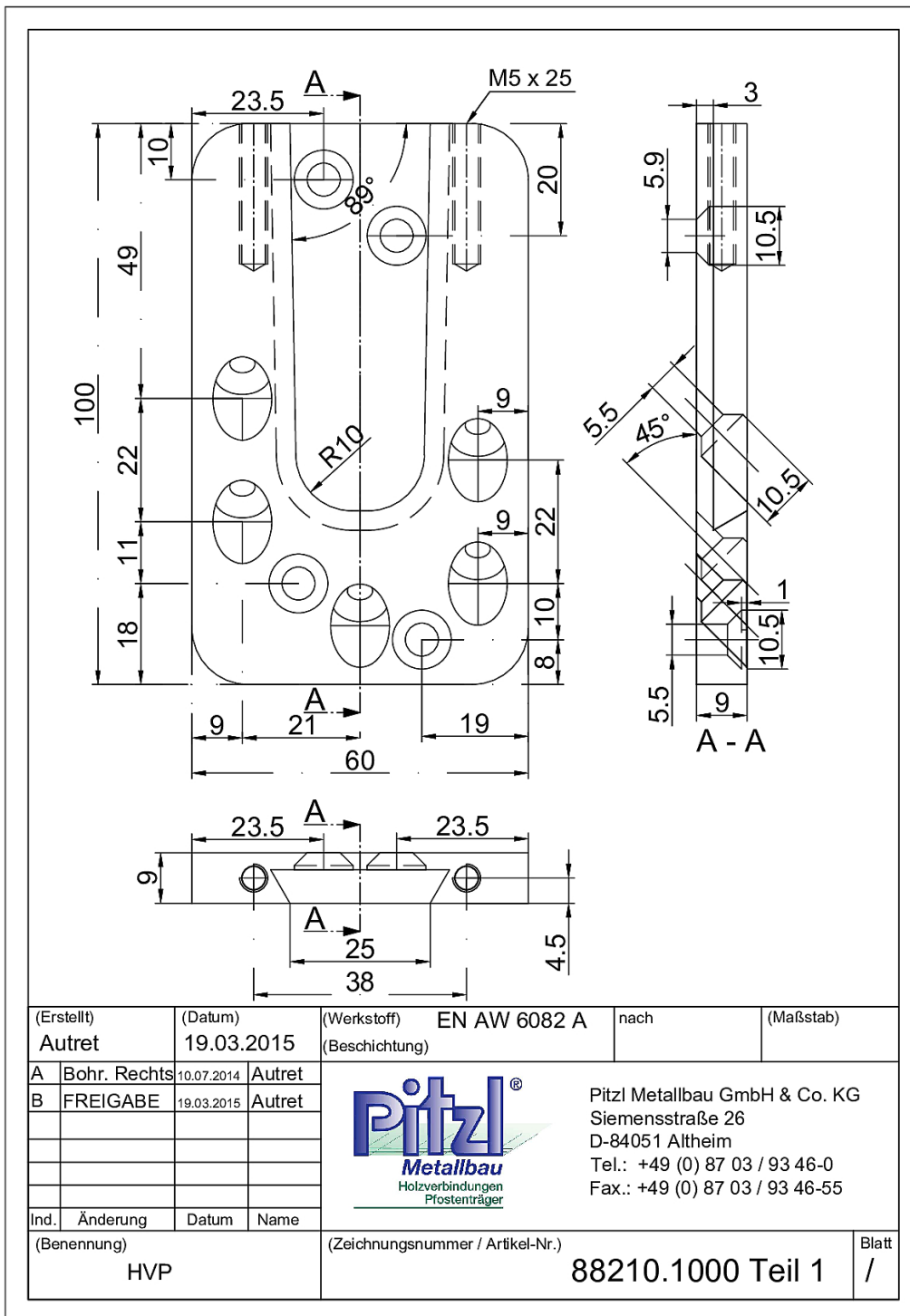
Pitzl Metallbau GmbH & Co.KG
Siemensstraße 26
D - 84051 Altheim

Phone: +49 8703 9346-0
Fax: +49 8703 9346-55
E-mail: info@pitzl-connectors.com

Product information and
terms and conditions at
www.pitzl-connectors.com

Connectors HVP with uplift protection

HVP connector 88210.1000



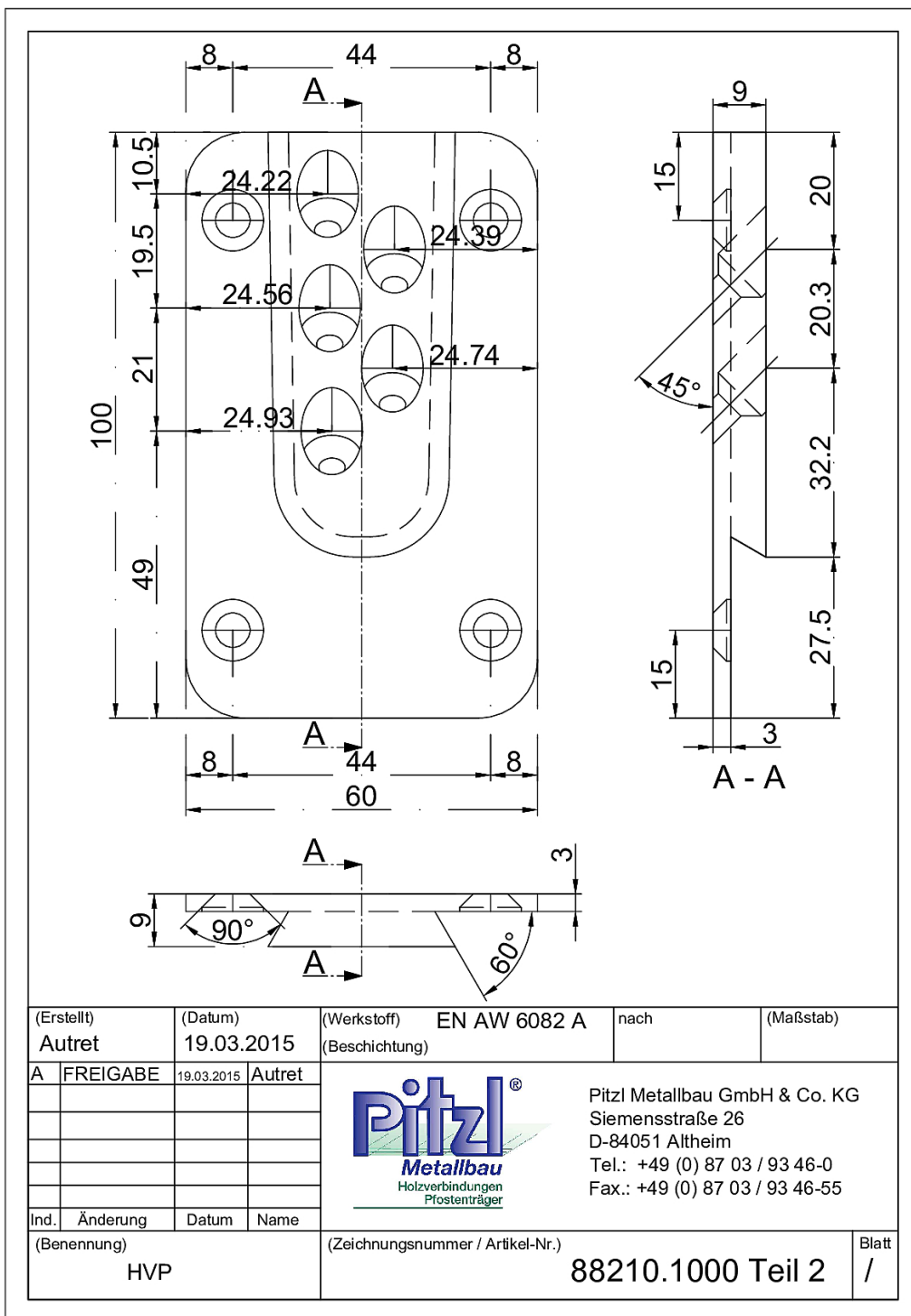
Pitzl Metallbau GmbH & Co.KG
Siemensstraße 26
D - 84051 Altheim

Phone: +49 8703 9346-0
Fax: +49 8703 9346-55
E-mail: info@pitzl-connectors.com

Product information and
terms and conditions at
www.pitzl-connectors.com

Connectors HVP with uplift protection

HVP connector 88210.1000



Pitzl Metallbau GmbH & Co.KG
Siemensstraße 26
D - 84051 Altheim

Phone: +49 8703 9346-0
Fax: +49 8703 9346-55
E-mail: info@pitzl-connectors.com

Product information and
terms and conditions at
www.pitzl-connectors.com

Connectors HVP with uplift protection

HVP connector 88210.1000

Static values

Effective thread length (l_{ef})		Minimal section (mm)		Characteristic load capacity R_k (kN)							
				Solid wood C24 ($\rho_k = 350 \text{ kg/m}^3$)				Glued-laminated timber GL24h ($\rho_k = 385 \text{ kg/m}^3$)			
Screws	l_{ef} (mm)	H	J	$F_{2,Rk}$	$F_{3,Rk}$	$F_{4,Rk}$	$F_{1,Rk}$	$F_{2,Rk}$	$F_{3,Rk}$	$F_{4,Rk}$	$F_{1,Rk}$
$\emptyset 5,0 \times 60$	54	70 x 120	80 x 120	18,36	13,38	13,38	15,23	19,61	13,94	13,94	16,27
$\emptyset 5,0 \times 80$	74	90 x 150	80 x 150	24,38			20,00	26,04			20,00
$\emptyset 5,0 \times 100$	94	110 x 180	80 x 180	30,24			20,00	32,29			20,00

Further static values can be found in our design manual at www.pitzl-connectors.com/en/downloads

Accessories

Item no.	Description
99211.5060	Countersunk screw 5 x 60 mm
99211.5080	Countersunk screw 5 x 80 mm
99211.5100	Countersunk screw 5 x 100 mm
99111.5060	Countersunk screws V2A 5 x 60 mm
99111.5070	Countersunk screw V2A 5 x 70 mm
58000.0000	Milling and assembly template for connectors 88004 - 88322
58399.0000	Milling unit composed of Milling bit, milling template and hand overhead router
58396.0000	Collet holder
58396.0012	Collet $\emptyset 12 \text{ mm}$
50934.2000	Grooving cutter $\emptyset 20 \text{ mm}$



Pitzl Metallbau GmbH & Co.KG
Siemensstraße 26
D - 84051 Altheim

Phone: +49 8703 9346-0
Fax: +49 8703 9346-55
E-mail: info@pitzl-connectors.com

Product information and terms and conditions at www.pitzl-connectors.com

Connectors HVP with uplift protection

HVP connector 88210.1000



Pitzl Metallbau GmbH & Co.KG
Siemensstraße 26
D - 84051 Altheim

Phone: +49 8703 9346-0
Fax: +49 8703 9346-55
E-mail: info@pitzl-connectors.com

Product information and
terms and conditions at
www.pitzl-connectors.com