

Connectors

88070.0000

Innovative wood connection systems for highest requirements.



PIST Metallbau GmbH & Co. KG
DIN EN 1090-2



ZiNiP
max protection



Connectors WVP connectors

WVP Wall connector 88070.0000

The new WVP wall connector

Looking at two points at the same time – whether hanging a door or assembling wall elements, that is always a challenge. The unique geometry of the new Pitzl wall connector WVP 88070.0000 allows you to assemble your wall elements even easier and faster. Thanks to the extra-long threading path, the various fastening points no longer have to be positioned at the same time, but can be conveniently positioned one after the other.

Developed by Pitzl and tested by the TVFA Innsbruck, the WVP 88070.0000 is a guarantee for a safe assembly process. The required technical verifications are of course confirmed in a European technical assessment (applied for).

Whether a pre-assembly in the hall or a processing on the construction site, the usual simple application of the Pitzl wall connector system guarantees you a time-saving and thus extremely economical way to carry out your assembly work.



Base plate with mandrel	65 x 109 x 2,5 mm
Borehole base plate	4x Ø 6,5 mm
Anchor plate with mandrel	65 x 55 x 2,5 mm
Borehole anchor plate	4x Ø 6,5 mm
Overall thickness when combined	18 mm
Characteristic value Thrust parallel in insertion direction	16,2 kN
Characteristic value Thrust perpendicular to insertion direction	9,9 kN
Characteristic value Tension perpendicular to the insertion direction	7,9 kN



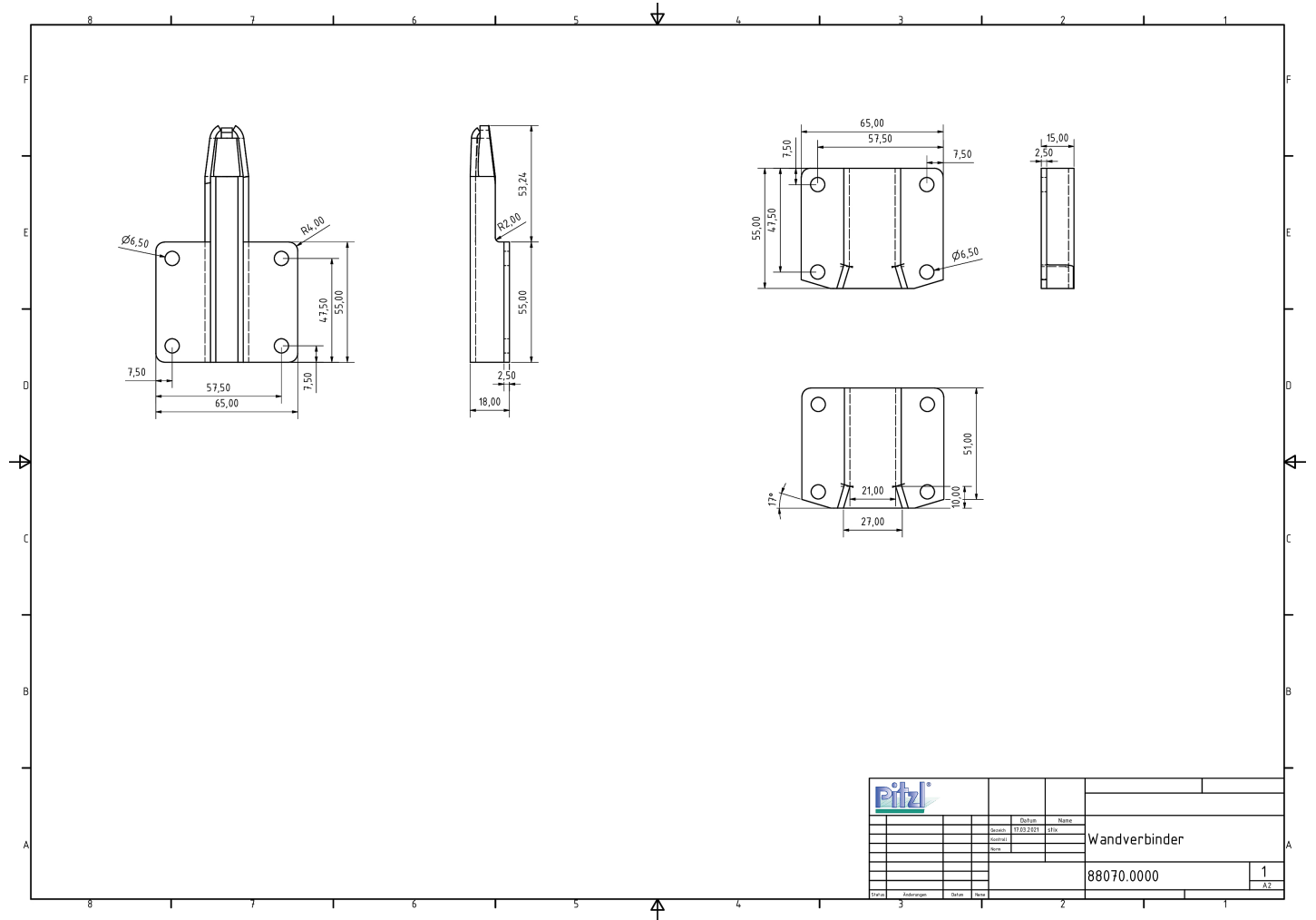
Pitzl Metallbau GmbH & Co.KG
Siemensstraße 26
D - 84051 Altheim

Phone: +49 8703 9346-0
Fax: +49 8703 9346-55
E-mail: info@pitzl-connectors.com

Product information and
terms and conditions at
www.pitzl-connectors.com

Connectors WVP connectors

WVP Wall connector 88070.0000



Pitzl		Datum	Version
		17.09.2021	atx
Wandverbinder			
88070.0000			1
			3.2



Pitzl Metallbau GmbH & Co.KG
Siemensstraße 26
D - 84051 Altheim

Phone: +49 8703 9346-0
Fax: +49 8703 9346-55
E-mail: info@pitzl-connectors.com

Product information and
terms and conditions at
www.pitzl-connectors.com

Connectors WVP connectors

WVP Wall connector 88070.0000

This product is currently not in the approval. Therefore, there are no static value.



Pitzl Metallbau GmbH & Co.KG
Siemensstraße 26
D - 84051 Altheim

Phone: +49 8703 9346-0
Fax: +49 8703 9346-55
E-mail: info@pitzl-connectors.com

Product information and
terms and conditions at
www.pitzl-connectors.com