



# Post bases

## 11001.1000

Innovative wood connection systems for highest requirements.



PIZZI Metallbau GmbH & Co. KG  
DIN EN 1090-2



ZiNiP max protection



Post bases Rigid version, hot-dip galvanized

# PTP easy post base 11001.1000



Upper plate mm	100 x 100 x 6
Lower plate mm	100 x 100 x 6
Installation height mm	160
Tube Ø mm	42
Borehole Ø 12 mm bottom	4
Borehole Ø 12 mm top	4
max. characteristic pressure bearing capacity (kN) *	-



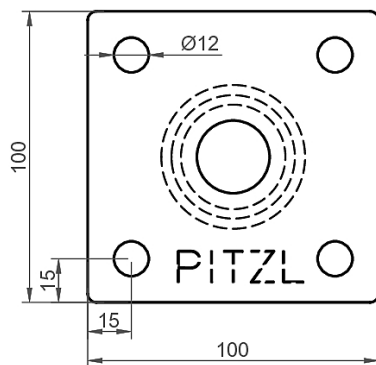
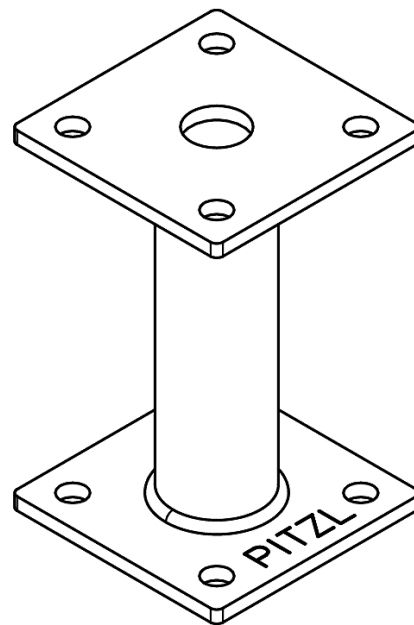
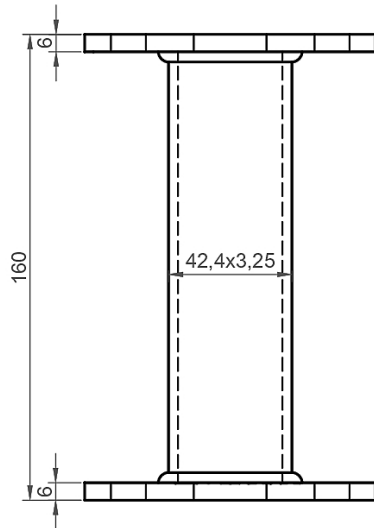
Pitzl Metallbau GmbH & Co.KG  
Siemensstraße 26  
D - 84051 Altheim

Phone: +49 8703 9346-0  
Fax: +49 8703 9346-55  
E-mail: [info@pitzl-connectors.com](mailto:info@pitzl-connectors.com)

Product information and  
terms and conditions at  
[www.pitzl-connectors.com](http://www.pitzl-connectors.com)

Post bases Rigid version, hot-dip galvanized

# PTP easy post base 11001.1000



Pitzl Metallbau GmbH & Co.KG  
Siemensstraße 26  
D - 84051 Altheim

Phone: +49 8703 9346-0  
Fax: +49 8703 9346-55  
E-mail: [info@pitzl-connectors.com](mailto:info@pitzl-connectors.com)

Product information and  
terms and conditions at  
[www.pitzl-connectors.com](http://www.pitzl-connectors.com)

Post bases Rigid version, hot-dip galvanized

# PTP easy post base 11001.1000

This product is currently not in the approval. Therefore, there are no static value.



Pitzl Metallbau GmbH & Co.KG  
Siemensstraße 26  
D - 84051 Altheim

Phone: +49 8703 9346-0  
Fax: +49 8703 9346-55  
E-mail: [info@pitzl-connectors.com](mailto:info@pitzl-connectors.com)

Product information and  
terms and conditions at  
[www.pitzl-connectors.com](http://www.pitzl-connectors.com)