



Post bases

11008.1160

Innovative wood connection systems for highest requirements.



PIZZI Metallbau GmbH & Co. KG
DIN EN 1090-2



ZiNiP
max protection



Post bases Heavy-duty version

PTP plus post base 11008.1160

The in-house manufacturing allows Pitzl to react quickly and flexibly to customers's requests. Because of snow quantities that disproportionally fell in large parts of Europe it was necessary to develop and manufacture quickly a fitted post base.

The most massive produced post base 11008.____ is available as of now rigid as well as adjustable. The optimally designed constructive form allows very high load capacities for compression up to 515 kN and also for horizontal load actions up to 18,2 kN. The tried and trusted Pitzl screw connection concept or a strut with dowel boreholes guarantee a lift-off value up to 50 kN.



Upper plate mm	140 x 140 x 15
Lower plate mm	140 x 140 x 15
Installation height mm	160
Tube Ø mm	82,5 x 5
Borehole Ø 17 mm bottom	4
Borehole Ø 12 mm top	4
max. characteristic pressure bearing capacity (kN) *	400,0
CE	*

with threaded mandrel M 24 x 150 mm. * For further static values see design manual or ETA 10/0413



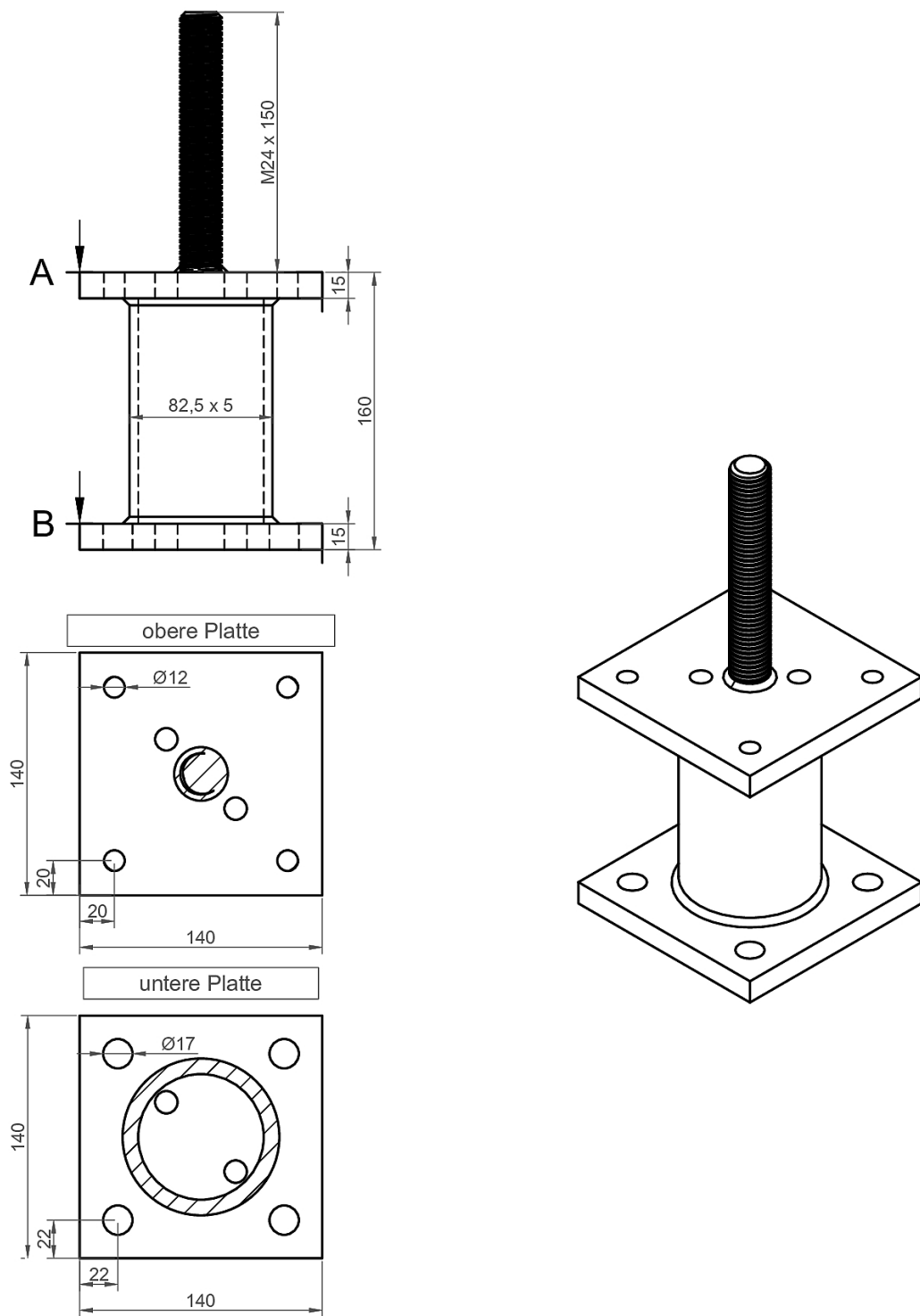
Pitzl Metallbau GmbH & Co.KG
Siemensstraße 26
D - 84051 Altheim

Phone: +49 8703 9346-0
Fax: +49 8703 9346-55
E-mail: info@pitzl-connectors.com

Product information and
terms and conditions at
www.pitzl-connectors.com

Post bases Heavy-duty version

PTP plus post base 11008.1160



Pitzl Metallbau GmbH & Co.KG
Siemensstraße 26
D - 84051 Altheim

Phone: +49 8703 9346-0
Fax: +49 8703 9346-55
E-mail: info@pitzl-connectors.com

Product information and
terms and conditions at
www.pitzl-connectors.com

Post bases Heavy-duty version

PTP plus post base 11008.1160

Static values

Direction of force	Char. load-carrying capacity (kN)	Design value γ_M 1,3 and k_{mod} (kN)				
		Permanent 0,6	Long 0,7	Medium 0,8	Short 0,9	Instantaneous 1,1
F ₁ Compression	400,00	184,62	215,38	246,15	276,92	338,46
F ₁ Tension 120 mm	30,00	13,85	16,15	18,46	20,77	25,38
F ₁ Tension 160 mm	50,00	23,08	26,92	30,77	34,62	42,31
Lateral force F ₂ /F ₃ Hinged	10,00	4,62	5,38	6,15	6,92	8,46
Lateral force F ₂ /F ₃ Clamped	10,00	4,62	5,38	6,15	6,92	8,46
Lateral force F ₄ /F ₅ Hinged	10,00	4,62	5,38	6,15	6,92	8,46
Lateral force F ₄ /F ₅ Clamped	10,00	4,62	5,38	6,15	6,92	8,46

** Steel failure decisive

Further static values can be found in our design manual at www.pitzl-connectors.com/en/downloads

Accessories

Item no.	Description
99210.1012	Washer-head screw 10 x 120 mm
99210.1016	Washer-head screw 10 x 160 mm
50020.2400	Drill jig for precise guidance of the drill bit Ø 24 mm



Pitzl Metallbau GmbH & Co.KG
Siemensstraße 26
D - 84051 Altheim

Phone: +49 8703 9346-0
Fax: +49 8703 9346-55
E-mail: info@pitzl-connectors.com

Product information and
terms and conditions at
www.pitzl-connectors.com