



Post bases

10920.1003

Innovative wood connection systems for highest requirements.



PIST Metallbau GmbH & Co. KG
DIN EN 1090-2



ZiNiP
max protection



Post bases Heavy-duty version

PTP plus post base 10920.1003

A system for all applications! Threads of 20 to 30 mm and the most varied plate sizes with 6 to 15 mm material thickness - we have the perfect solution for any application. Lift-off and lateral impacts can be counteracted with a straight screw connection into the cross-grained wood using fully-threaded 10 x 120 mm wood screws (with European Technical Approval) or a strut or lateral latches. Of course, post bases of the right/left-threaded system are still height-adjustable when mounted and under heavy load. The use of additional lock nuts increases the rigidity of the connection.



Upper plate mm	100 x 100 x 10
Lower plate mm	160 x 100 x 10
Thread, M 30 low.	65
Thread, M 30 upp.	65
Borehole Ø 13 mm bottom	4
Borehole Ø 12 mm top	4
Installation height mm	150 - 210
max. characteristic pressure bearing capacity (kN) *	158,5
CE	*
Suitable cover sleeve item no. 10833.____	.2000



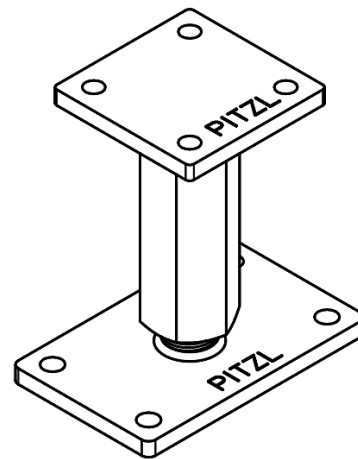
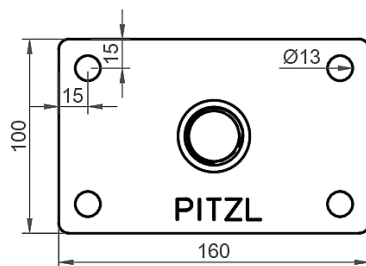
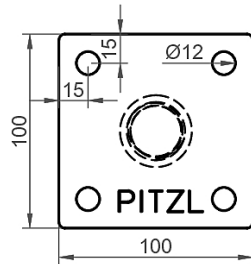
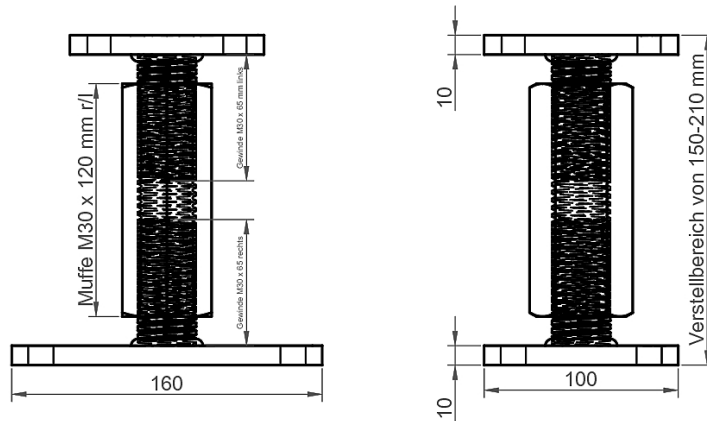
Pitzl Metallbau GmbH & Co.KG
Siemensstraße 26
D - 84051 Altheim

Phone: +49 8703 9346-0
Fax: +49 8703 9346-55
E-mail: info@pitzl-connectors.com

Product information and terms and conditions at www.pitzl-connectors.com

Post bases Heavy-duty version

PTP plus post base 10920.1003



Pitzl Metallbau GmbH & Co.KG
Siemensstraße 26
D - 84051 Altheim

Phone: +49 8703 9346-0
Fax: +49 8703 9346-55
E-mail: info@pitzl-connectors.com

Product information and
terms and conditions at
www.pitzl-connectors.com

Post bases Heavy-duty version

PTP plus post base 10920.1003

Static values

Direction of force	Char. load-carrying capacity (kN)	Design value γ_M 1,3 and k_{mod} (kN)				
		Permanent 0,6	Long 0,7	Medium 0,8	Short 0,9	Instantaneous 1,1
F ₁ Compression	158,50	73,15	85,35	97,54	109,73	134,12
F ₁ Tension	30,00	13,85	16,15	18,46	20,60**	
Lateral force F ₂ /F ₃	3,80	3,04**				
Lateral force F ₄ /F ₅	3,30	3,30**				

** Steel failure decisive

Further static values can be found in our design manual at www.pitzl-connectors.com/en/downloads

Accessories

Item no.	Description
99210.1012	Washer-head screw 10 x 120 mm
99210.1016	Washer-head screw 10 x 160 mm
10833.2000	Cover sleeve for thread M30 Adjustment range: 115 - 215 mm



Pitzl Metallbau GmbH & Co.KG
Siemensstraße 26
D - 84051 Altheim

Phone: +49 8703 9346-0
Fax: +49 8703 9346-55
E-mail: info@pitzl-connectors.com

Product information and
terms and conditions at
www.pitzl-connectors.com