

Connectors

88430.1000

Innovative wood connection systems for highest requirements.



PIST Metallbau GmbH & Co. KG
DIN EN 1090-2



Connectors Heavy-duty HVP

HVP connector 88430.1000

The new disposed inclined drilled holes as well as the possibility of using different screws lengths guarantee the adaptability to the small timber cross-sections too.



Dimensions w x h x d (mm)	120 x 300 x 20
Number of screws	24
Screws size	Ø 8 x 100 - 200
Minimal timber section with screws Ø 8 x 160 (mm) Header	160 x 320
Joist	140 x 320
Characteristic load capacity* Ø 8 x 160	100,58
Ø 8 x 200	124,42
Packing unit	4
CE	*

* F_{2,Rk} (kN) for GL24h with fully threaded screws: Ø 8 x 160 with effective thread length of 150 mm and Ø 8 x 200 with effective thread length of 190 mm. For other screws and thread lengths or wood based materials: cf. design manual. Heavy-duty HVP connectors are automatically delivered with uplift protection (2 screws Ø 6 x 20 mm and flat steel for uplift protection included).



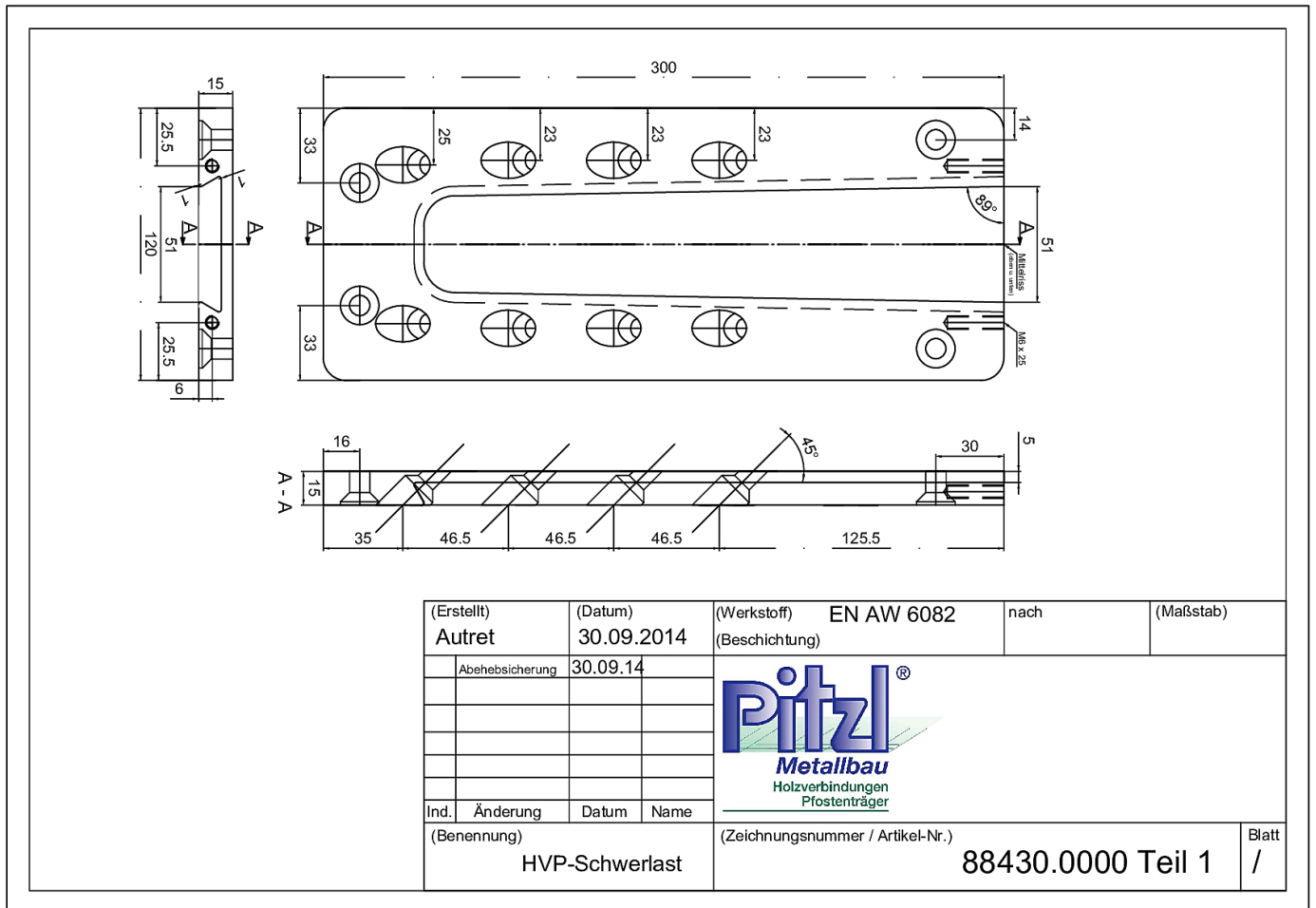
Pitzl Metallbau GmbH & Co.KG
Siemensstraße 26
D - 84051 Altheim

Phone: +49 8703 9346-0
Fax: +49 8703 9346-55
E-mail: info@pitzl-connectors.com

Product information and
terms and conditions at
www.pitzl-connectors.com

Connectors Heavy-duty HVP

HVP connector 88430.1000



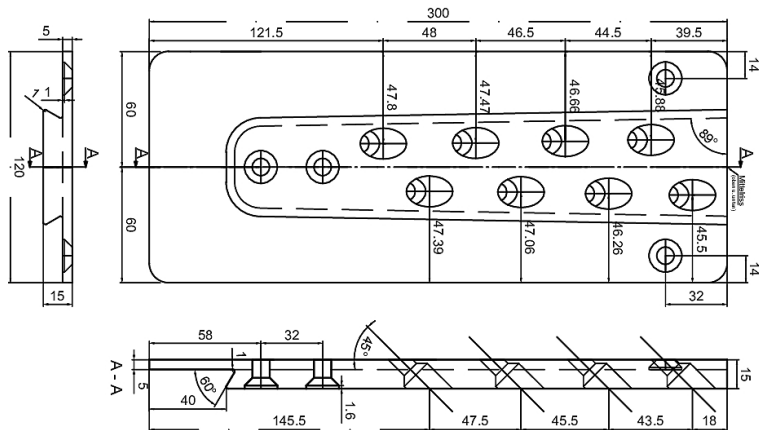
Pitzl Metallbau GmbH & Co.KG
Siemensstraße 26
D - 84051 Altheim


Phone: +49 8703 9346-0
Fax: +49 8703 9346-55
E-mail: info@pitzl-connectors.com

Product information and
terms and conditions at
www.pitzl-connectors.com

Connectors Heavy-duty HVP

HVP connector 88430.1000



(Erstellt) Autret	(Datum) 03.06.2014	(Werkstoff) EN AW 6082 (Beschichtung)	nach	(Maßstab)
		 Pitzl [®] Metallbau Holzverbindungen Pfostenträger		
Ind.	Änderung			
(Benennung) HVP-Schwerlast		(Zeichnungsnummer / Artikel-Nr.) 88430.0000 Teil 2		Blatt /



Pitzl Metallbau GmbH & Co.KG
Siemensstraße 26
D - 84051 Altheim

Phone: +49 8703 9346-0
Fax: +49 8703 9346-55
E-mail: info@pitzl-connectors.com

Product information and
terms and conditions at
www.pitzl-connectors.com

Connectors Heavy-duty HVP

HVP connector 88430.1000

Static values

Effective thread length (l_{ef})		Minimal section (mm)		Characteristic load capacity R_k (kN)							
				Solid wood C24 ($\rho_k = 350 \text{ kg/m}^3$)				Glued-laminated timber GL24h ($\rho_k = 385 \text{ kg/m}^3$)			
Screws	l_{ef} (mm)	H	J	$F_{2,Rk}$	$F_{3,Rk}$	$F_{4,Rk}$	$F_{1,Rk}$	$F_{2,Rk}$	$F_{3,Rk}$	$F_{4,Rk}$	$F_{1,Rk}$
$\varnothing 8,0 \times 160$	150	160 x 320	140 x 320	93,19	36,40	38,73	48,32	99,53	36,40	40,35	51,61
$\varnothing 8,0 \times 180$	170	180 x 350	140 x 350	104,30			54,09	111,40			57,76
$\varnothing 8,0 \times 200$	190	200 x 380	140 x 380	115,29			59,78	123,12			60,00

Further static values can be found in our design manual at www.pitzl-connectors.com/en/downloads

Accessories

Item no.	Description
99211.0812	Countersunk screw 8 x 120 mm
99211.0818	Countersunk screw 8 x 180 mm
99211.0820	Countersunk screw 8 x 200 mm
58400.0000	Milling and assembly template for connectors 88420 - 88560
58396.0000	Collet holder
58396.0012	Collet $\varnothing 12 \text{ mm}$
50934.2000	Grooving cutter $\varnothing 20 \text{ mm}$



Pitzl Metallbau GmbH & Co.KG
Siemensstraße 26
D - 84051 Altheim

Phone: +49 8703 9346-0
Fax: +49 8703 9346-55
E-mail: info@pitzl-connectors.com

Product information and
terms and conditions at
www.pitzl-connectors.com