

# Connectors

## 88109.0000

Innovative wood connection systems for highest requirements.



PIRAT Metallbau GmbH & Co. KG  
DIN EN 1090-2



ZiNiP max protection



## Connectors HVP

# HVP connector 88109.0000

Optimal distances to the edges and variable screws length ensure accuracy of fit for each timber section.



|   |                 |
|---|-----------------|
| Dimensions w x h x d (mm)                                 | 40 x 90 x 12    |
| Number of screws  | 14              |
| Screws size   | Ø 4,5 x 50 - 80 |
| Minimal timber section with screws Ø 4,5 x 50 (mm) Header | 60 x 100        |
| Joist   | 50** x 100      |
| Characteristic load capacity* Ø 4.5 x 50                  | 9,77            |
| Ø 4,5 x 80  | 15,28           |
| Packing unit  | 10              |
| CE  | *               |

\* F2,Rk (kN) for GL24h with fully threaded screws: Ø 4,5 x 50 with effective thread length of 45 mm and Ø 4,5 x 80 with effective thread length of 74 mm. For other screws and thread lengths or wood based materials: cf. design manual \*\* Valid for part 2 (with the tongue) fixed at the end grain, otherwise 60 mm.

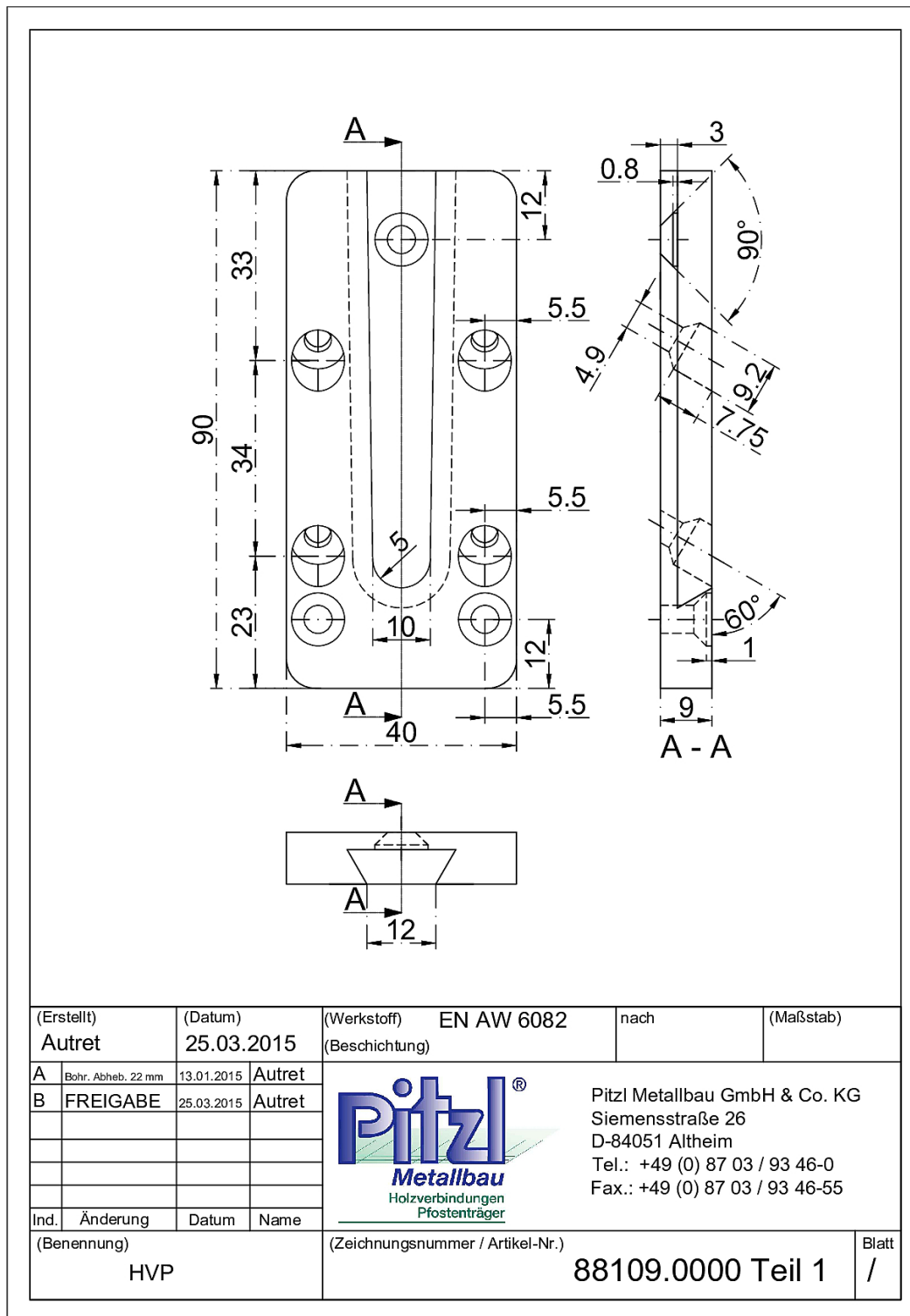


Pitzl Metallbau GmbH & Co.KG  
Siemensstraße 26  
D - 84051 Altheim

Phone: +49 8703 9346-0  
Fax: +49 8703 9346-55  
E-mail: [info@pitzl-connectors.com](mailto:info@pitzl-connectors.com)

Product information and  
terms and conditions at  
[www.pitzl-connectors.com](http://www.pitzl-connectors.com)

# HVP connector 88109.0000



|                             |                              |  |      |                   |
|-----------------------------|------------------------------|--|------|-------------------|
| (Erstellt)<br><b>Autret</b> | (Datum)<br><b>25.03.2015</b> | (Werkstoff)<br><b>EN AW 6082</b>                             | nach | (Maßstab)         |
| A Bohr. Abheb. 22 mm        | 13.01.2015                   | Autret   |      |                   |
| B FREIGABE                  | 25.03.2015                   | Autret   |      |                   |
|                             |                              |  |      |                   |
|                             |                              |  |      |                   |
|                             |                              |  |      |                   |
| Ind.                        | Änderung                     | Datum  | Name |                   |
| (Benennung)<br><b>HVP</b>   |                              | (Zeichnungsnummer / Artikel-Nr.)<br><b>88109.0000 Teil 1</b> |      | Blatt<br><b>/</b> |



Pitzl Metallbau GmbH & Co. KG  
Siemensstraße 26  
D-84051 Altheim  
Tel.: +49 (0) 87 03 / 93 46-0  
Fax.: +49 (0) 87 03 / 93 46-55

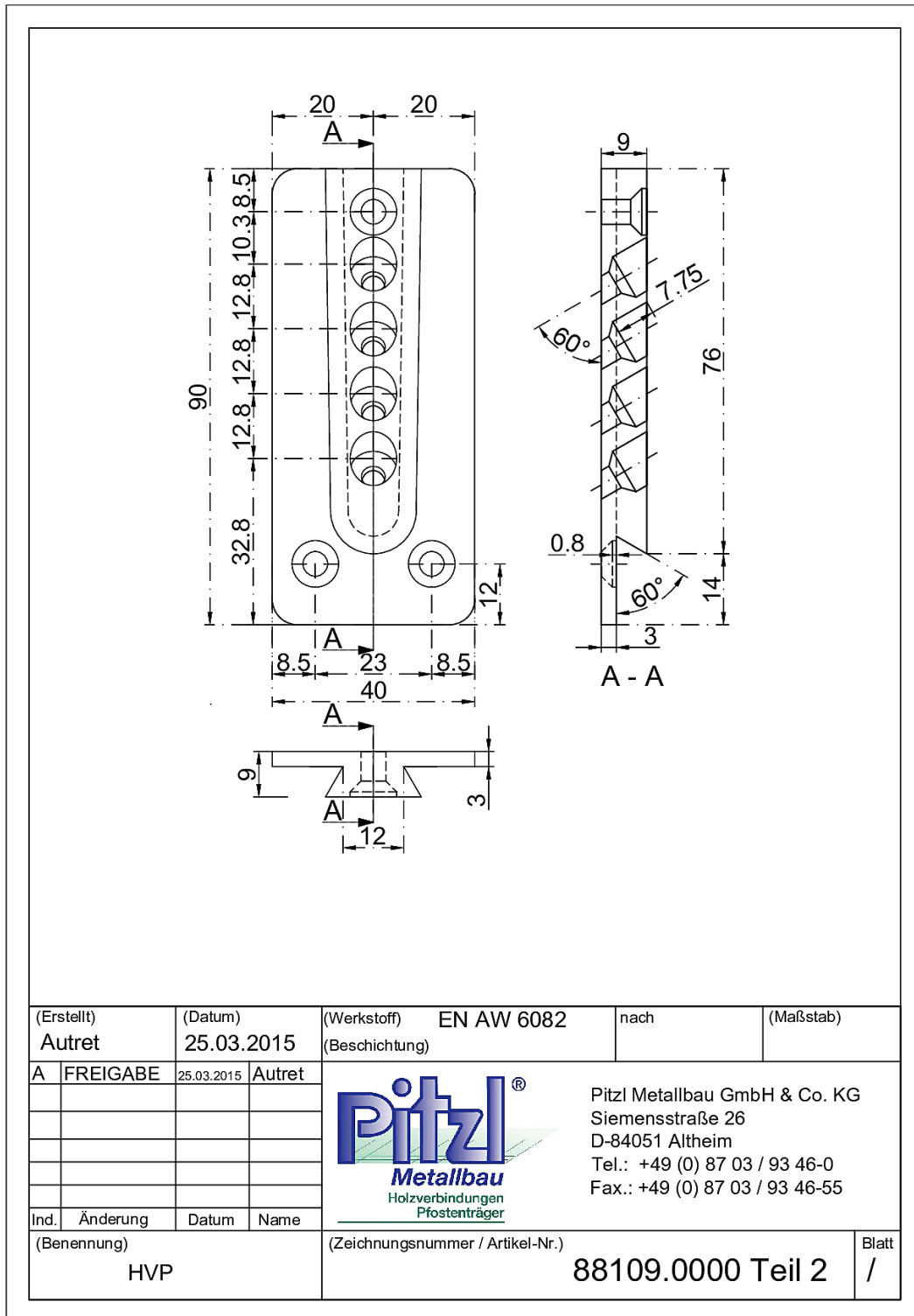


Pitzl Metallbau GmbH & Co.KG  
Siemensstraße 26  
D - 84051 Altheim

Phone: +49 8703 9346-0  
Fax: +49 8703 9346-55  
E-mail: info@pitzl-connectors.com

Product information and  
terms and conditions at  
www.pitzl-connectors.com

# HVP connector 88109.0000



## Connectors HVP

# HVP connector 88109.0000

### Static values

| Effective thread length ( $l_{ef}$ ) |               | Minimal section (mm) |          | Characteristic load capacity $R_k$ (kN)          |            |            |            |  |            |            |            |
|--------------------------------------|---------------|----------------------|----------|--|------------|------------|------------|--|------------|------------|------------|
|                                      |               |                      |          | Solid wood C24 ( $\rho_k = 350 \text{ kg/m}^3$ ) |            |            |            | Glued-laminated timber GL24h ( $\rho_k = 385 \text{ kg/m}^3$ ) |            |            |            |
| Screws                               | $l_{ef}$ (mm) | H                    | J        | $F_{2,Rk}$                                       | $F_{3,Rk}$ | $F_{4,Rk}$ | $F_{1,Rk}$ | $F_{2,Rk}$   | $F_{3,Rk}$ | $F_{4,Rk}$ | $F_{1,Rk}$ |
| $\emptyset 4,5 \times 50$            | 44            | 60 x 100             | 60 x 100 | 9,05   | 0,00       | 8,76       | 9,20       | 9,66   | 0,00       | 9,13       | 9,82       |
| $\emptyset 4,5 \times 60$            | 54            | 70 x 110             | 60 x 110 | 10,66  |            |            | 10,84      | 11,39  |            |            | 11,58      |
| $\emptyset 4,5 \times 80$            | 74            | 90 x 130             | 60 x 130 | 14,16  |            |            | 14,39      | 15,12  |            |            | 15,37      |

Further static values can be found in our design manual at [www.pitzl-connectors.com/en/downloads](http://www.pitzl-connectors.com/en/downloads)

### Accessories

| Item no.   | Description   |
|------------|---|
| 99211.4550 | Countersunk screw 4,5 x 50 mm   |
| 99211.4560 | Countersunk screw 4,5 x 60 mm   |
| 99211.4580 | Countersunk screw 4,5 x 80 mm   |
| 99111.4550 | Countersunk screw V2A 4,5 x 50 mm   |
| 99111.4560 | Countersunk screw V2A 4,5 x 60 mm   |
| 58000.0000 | Milling and assembly template for connectors 88004 - 88322                      |
| 58399.0000 | Milling unit composed of Milling bit, milling template and hand overhead router |
| 58396.0000 | Collet holder   |
| 58396.0008 | Collet $\emptyset 8 \text{ mm}$   |
| 50934.1000 | Grooving cutter $\emptyset 10 \text{ mm}$                                       |



Pitzl Metallbau GmbH & Co.KG  
Siemensstraße 26  
D - 84051 Altheim

Phone: +49 8703 9346-0  
Fax: +49 8703 9346-55  
E-mail: [info@pitzl-connectors.com](mailto:info@pitzl-connectors.com)

Product information and terms and conditions at [www.pitzl-connectors.com](http://www.pitzl-connectors.com)

Connectors HVP

HVP connector 88109.0000



Pitzl Metallbau GmbH & Co.KG  
Siemensstraße 26  
D - 84051 Altheim

Phone: +49 8703 9346-0  
Fax: +49 8703 9346-55  
E-mail: [info@pitzl-connectors.com](mailto:info@pitzl-connectors.com)

Product information and  
terms and conditions at  
[www.pitzl-connectors.com](http://www.pitzl-connectors.com)