



# Connectors

## 88006.0000

Innovative wood connection systems for highest requirements.



PIST Metallbau GmbH & Co. KG  
DIN EN 1090-2



ZiNiP  
max protection



## Connectors HVP

# HVP connector 88006.0000

Optimal distances to the edges and variable screws length ensure accuracy of fit for each timber section.



Dimensions w x h x d (mm)	25 x 60 x 12
Number of screws	8
Screws size	Ø 4,5 x 50 - 80
Minimal timber section with screws Ø 4,5 x 50 (mm) Header	60 x 70
Joist	45 x 70
Characteristic load capacity* Ø 4.5 x 50	4,88
Ø 4,5 x 80	7,64
Packing unit	20
CE	*

\* F2,Rk (kN) for GL24h with fully threaded screws: Ø 4,5 x 50 with effective thread length of 45 mm and Ø 4,5 x 80 with effective thread length of 74 mm. For other screws and thread lengths or wood based materials: cf. design manual.

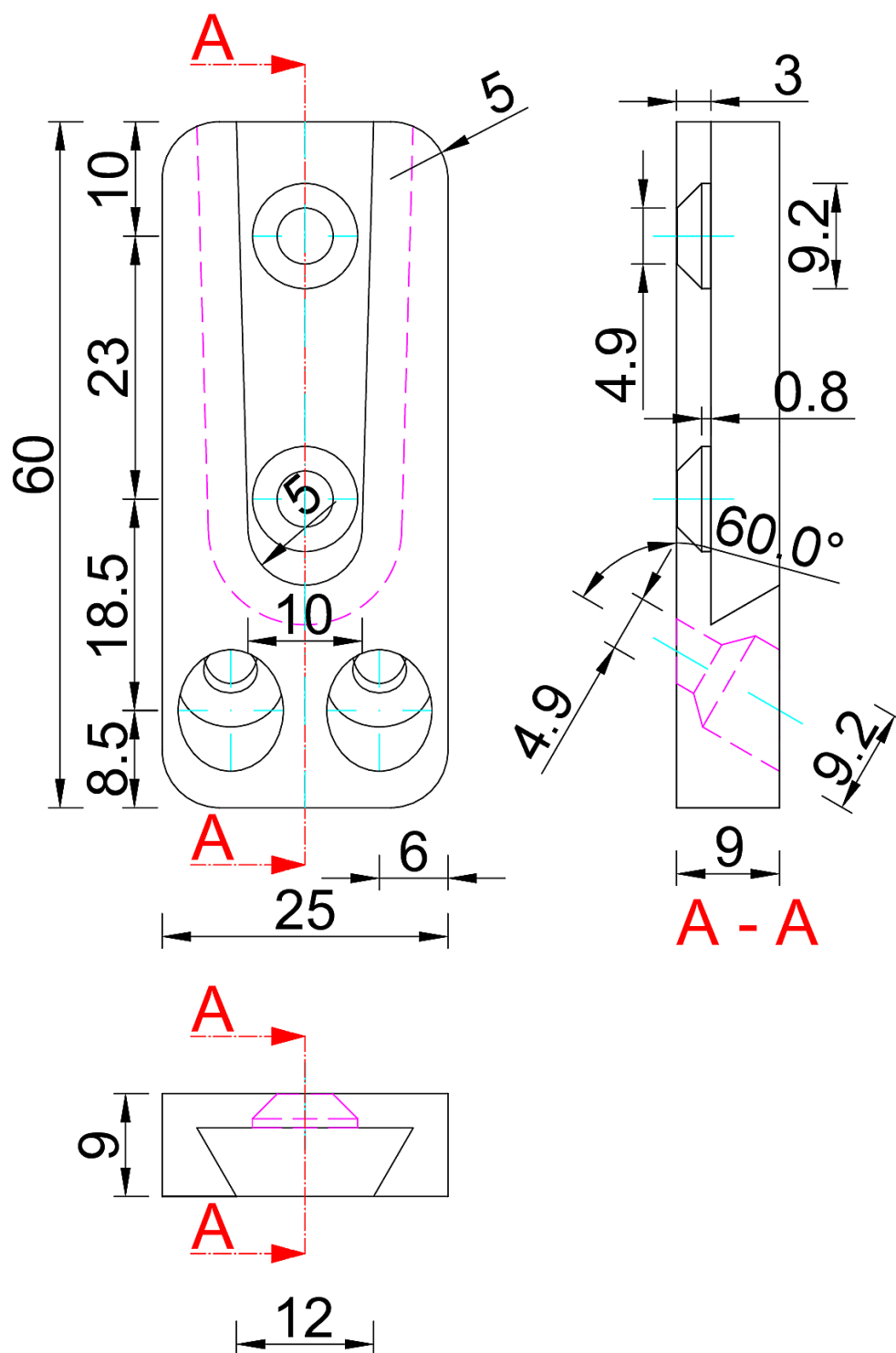


Pitzl Metallbau GmbH & Co.KG  
Siemensstraße 26  
D - 84051 Altheim

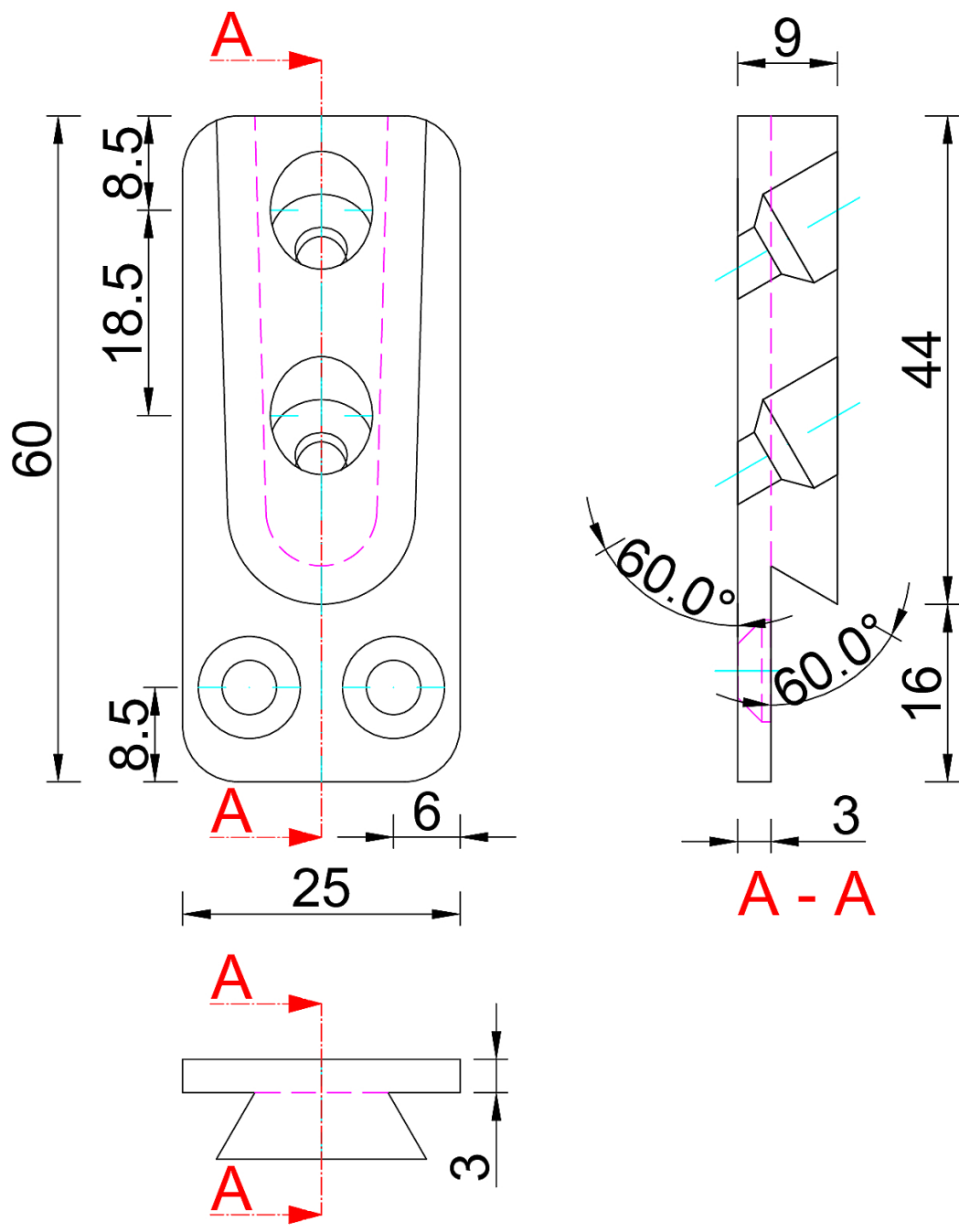
Phone: +49 8703 9346-0  
Fax: +49 8703 9346-55  
E-mail: [info@pitzl-connectors.com](mailto:info@pitzl-connectors.com)

Product information and  
terms and conditions at  
[www.pitzl-connectors.com](http://www.pitzl-connectors.com)

# HVP connector 88006.0000



# HVP connector 88006.0000



## Connectors HVP

# HVP connector 88006.0000

### Static values

Effective thread length ( $l_{ef}$ )		Minimal section (mm)		Characteristic load capacity $R_k$ (kN)							
				Solid wood C24 ( $\rho_k = 350 \text{ kg/m}^3$ )				Glued-laminated timber GL24h ( $\rho_k = 385 \text{ kg/m}^3$ )			
Screws	$l_{ef}$ (mm)	H	J	$F_{2,Rk}$	$F_{3,Rk}$	$F_{4,Rk}$	$F_{1,Rk}$	$F_{2,Rk}$	$F_{3,Rk}$	$F_{4,Rk}$	$F_{1,Rk}$
$\emptyset 4,5 \times 50$	44	60 x 70	45 x 70	4,43	0,00	5,01	6,01	4,79	0,00	5,25	6,49
$\emptyset 4,5 \times 60$	54	70 x 80	45 x 80	5,33			7,23	5,75			7,80
$\emptyset 4,5 \times 80$	74	90 x 100	45 x 100	7,08			9,59	7,64			10,35

Further static values can be found in our design manual at [www.pitzl-connectors.com/en/downloads](http://www.pitzl-connectors.com/en/downloads)

### Accessories

Item no.	Description
99211.4550	Countersunk screw 4,5 x 50 mm
99211.4560	Countersunk screw 4,5 x 60 mm
99211.4580	Countersunk screw 4,5 x 80 mm
99111.4550	Countersunk screw V2A 4,5 x 50 mm
99111.4560	Countersunk screw V2A 4,5 x 60 mm
58000.0000	Milling and assembly template for connectors 88004 - 88322
58399.0000	Milling unit composed of Milling bit, milling template and hand overhead router
58396.0000	Collet holder
58396.0008	Collet $\emptyset 8 \text{ mm}$
50934.1000	Grooving cutter $\emptyset 10 \text{ mm}$



Pitzl Metallbau GmbH & Co.KG  
Siemensstraße 26  
D - 84051 Altheim

Phone: +49 8703 9346-0  
Fax: +49 8703 9346-55  
E-mail: [info@pitzl-connectors.com](mailto:info@pitzl-connectors.com)

Product information and terms and conditions at [www.pitzl-connectors.com](http://www.pitzl-connectors.com)

Connectors HVP

# HVP connector 88006.0000



Pitzl Metallbau GmbH & Co.KG  
Siemensstraße 26  
D - 84051 Altheim

Phone: +49 8703 9346-0  
Fax: +49 8703 9346-55  
E-mail: [info@pitzl-connectors.com](mailto:info@pitzl-connectors.com)

Product information and  
terms and conditions at  
[www.pitzl-connectors.com](http://www.pitzl-connectors.com)